

## Multilayer Chip Inductor / High Current Chip Beads MI3216 SERIES ~

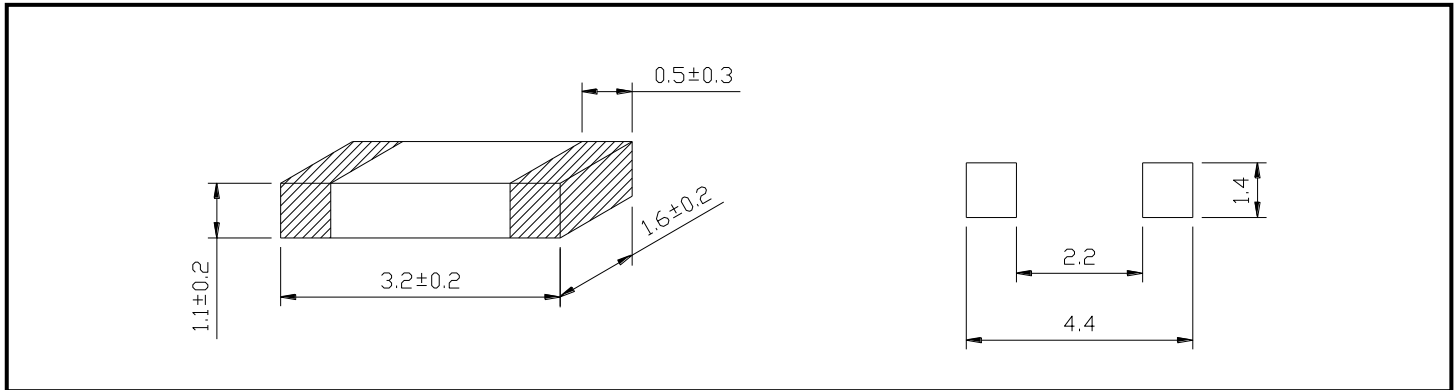


### PART NUMBERING SYSTEM

<b>MI</b>	<b>3216</b>	-	<b>101</b>	-	<b>3A</b>	-	<b>LF</b>
TYPE	DIMENSIONS		IMPEDANCE		DC CURRENT		LEAD FREE

### SHAPES AND DIMENSIONS

UNIT : mm



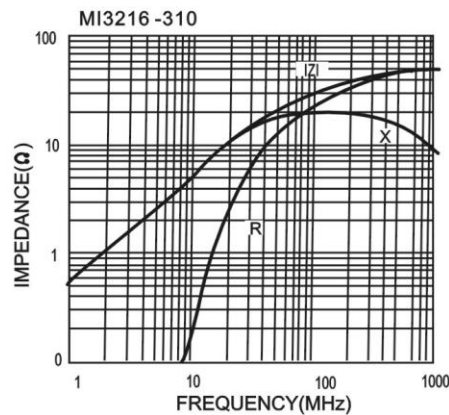
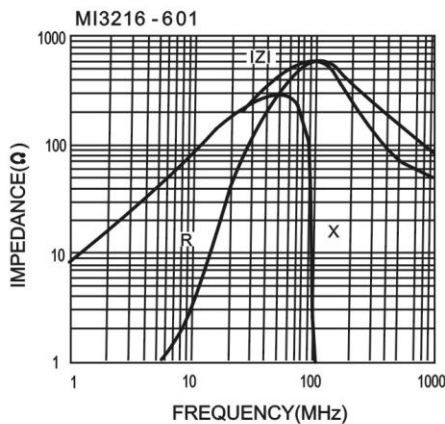
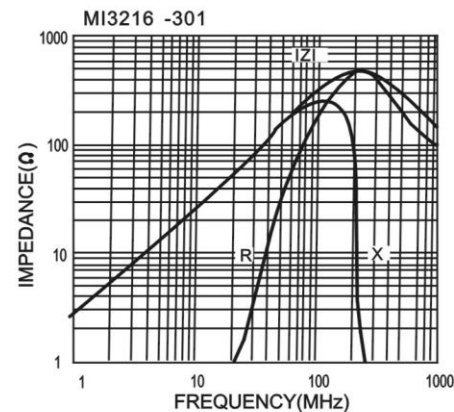
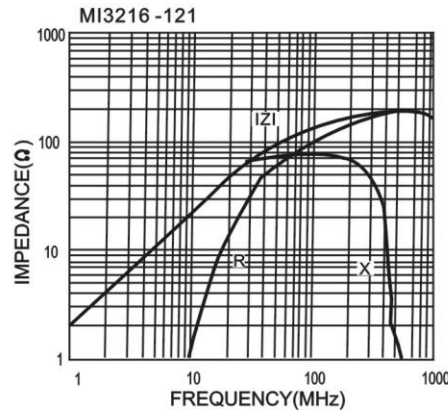
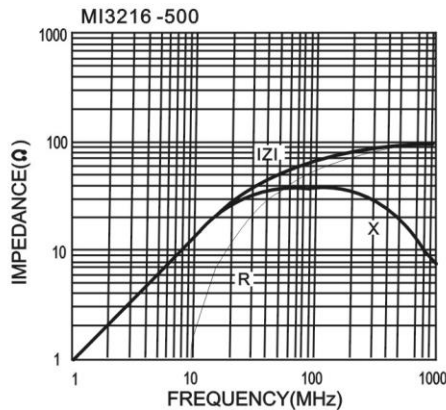
### SPECIFICATION TABLE

PART NUMBER	IMPEDANCE (Ω) at 100MHz	DCR (Ω) (Max.)	IDC (A) (Max.)
MI3216-190-3A-LF	19±25%	0.030	3.0
MI3216-190-6A-LF	19±25%	0.006	6.0
MI3216-260-3A-LF	26±25%	0.030	3.0
MI3216-300-3A-LF	30±25%	0.030	3.0
MI3216-310-3A-LF	31±25%	0.030	3.0
MI3216-310-6A-LF	31±25%	0.006	6.0
MI3216-320-6A-LF	32±25%	0.006	6.0
MI3216-380-6A-LF	38±25%	0.005	6.0
MI3216-480-6A-LF	48±25%	0.008	6.0
MI3216-500-3A-LF	50±25%	0.030	3.0
MI3216-500-3A-LF	50±25%	0.020	6.0
MI3216-500-12A-LF	50±25%	0.0036	12.0
MI3216-520-3A-LF	52±25%	0.030	3.0
MI3216-520-6A-LF	52±25%	0.020	6.0
MI3216-600-4A-LF	60±25%	0.020	4.0
MI3216-600-6A-LF	60±25%	0.010	6.0
MI3216-700-3A-LF	70±25%	0.040	3.0
MI3216-800-4A-LF	80±25%	0.020	4.0

**Multilayer Chip Inductor / High Current Chip Beads MI3216 SERIES ~**

PART NUMBER	IMPEDANCE (Ω) at 100MHz	DCR (Ω) (Max.)	IDC (A) (Max.)
MI3216-900-3A-LF	90±25%	0.040	3.0
MI3216-101-3A-LF	100±25%	0.040	3.0
MI3216-101-5A-LF	100±25%	0.020	5.0
MI3216-121-3A-LF	120±25%	0.050	3.0
MI3216-121-5A-LF	120±25%	0.025	5.0
MI3216-121-6A-LF	120±25%	0.018	6.0
MI3216-151-3A-LF	150±25%	0.050	3.0
MI3216-161-6A-LF*V1	160±25%	0.018	6.0
MI3216-221-3A-LF	220±25%	0.050	3.0
MI3216-221-4A-LF	220±25%	0.020	4.0
MI3216-281-3A-LF	280±25%	0.030	4.0
MI3216-301-3A-LF	300±25%	0.060	3.0
MI3216-391-2A-LF	390±25%	0.070	2.0
MI3216H-391-2A-LF	390±25%	0.050	2.0
MI3216-471-3A-LF	470±25%	0.040	3.0
MI3216-501-2.5A-LF	500±25%	0.070	2.5
MI3216-501-3A-LF	500±25%	0.050	3.0
MI3216-601-2A-LF	600±25%	0.080	2.0
MI3216-601-3A-LF	600±25%	0.060	3.0
MI3216HP-601-3A-LF	600±25%	0.040	3.0
MI3216-601-4A-LF	600±25%	0.060	4.0
MI3216-801-1A-LF	800±25%	0.200	1.0
MI3216-801-2A-LF	800±25%	0.200	2.0
MI3216-102-1A-LF	1000±25%	0.300	1.0
MI3216-102-1.5A-LF	1000±25%	0.150	1.5
MI3216-102-2A-LF	1000±25%	0.150	2.0
MI3216-122-1A-LF	1200±25%	0.200	1.0

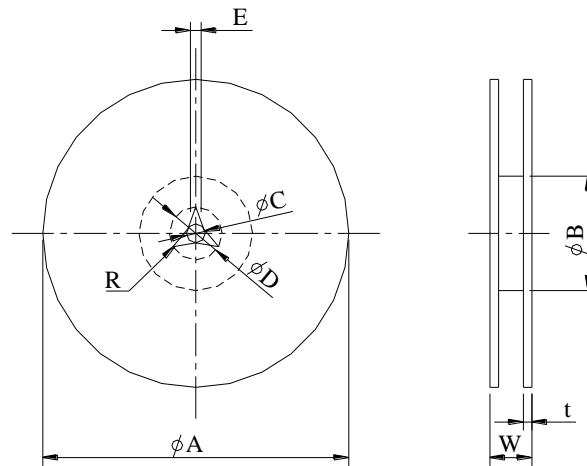
## IMPEDANCE vs FREQUENCY



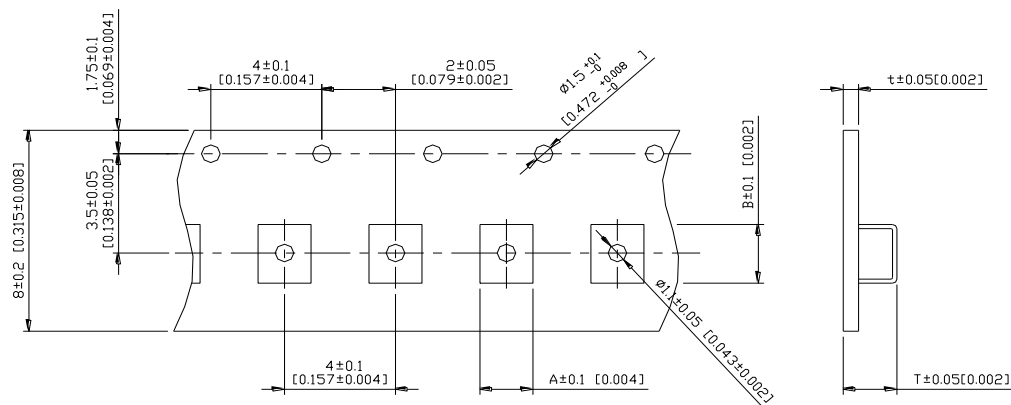
- Test equipment : Agilent/HP-4291A impedance analyzer or equipment .
- Operating temperature range  $-55^{\circ}\text{C}$  to  $+125^{\circ}\text{C}$
- Electrical specifications at  $25^{\circ}\text{C}$
- Noise reduction solution for general signal line.
- Great reduce the possibility of resonance and signal wave forms undistorted.
- Excellent solder heat resistance.
- Various impedances are available to match signal frequency.
- For high current application (up to 12.0 Amps)

## Multilayer Chip Inductor / High Current Chip Beads MI3216 SERIES ~

### PACKAGING SPECIFICATION



	A	B	C	D	E	W8	W12	t	R
<b>T(<math>\psi 178\text{mm}</math>) Reel</b>	$\psi 178 \pm 2$	$\psi 60 \pm 1$	$\psi 13 \pm 0.8$	$\psi 21 \pm 0.8$	2	$10 \pm 1.5$	$14.5 \pm 1.5$	$1.27 \pm 0.2$	1



TYPE	A	B	T	t	T( $\phi 178\text{mm}$ )	T( $\phi 330\text{mm}$ )
<b>3216</b>	1.90	3.50	1.40	0.2	3000 pcs/reel	-